

HiPo IE™

HIGH POTENCY POWDER INSTRUMENT ENCLOSURE



CTS HiPo IE™ Stainless Steel Instrument Enclosures are designed to protect the analyst from airborne contaminants produced during sample analysis and manipulation processes. The Stainless Steel construction is very robust and cleanable. Internal radius edging for better contamination control.

Typical Applications:

Titration, Moisture Analysis, Weighing, Micro Scale Synthesis, Milling, Sieving, Pipetting and Mobile Phase Preparation.

- Excellent maintenance access
- Custom build solutions
- Safe change HEPA filtration system
- Solvent filtration available
- Low air volume requirement
- Safe waste disposal

HiPo IE™

HIGH POTENCY POWDER INSTRUMENT ENCLOSURE

SYSTEM SPECIFICATION



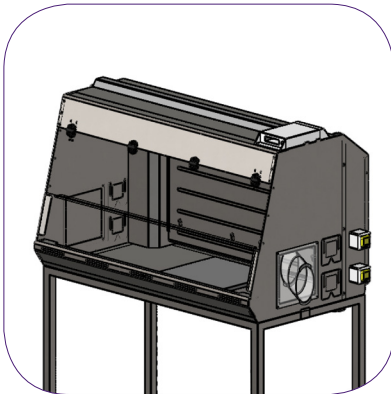
CONSTRUCTION

- Grade 316 Stainless steel body
- 0.5ra Pharmaceutical grade surface finish
- Mobile bench option
- Internally radius corners

DIMENSIONS (mm) - (WxDxH)

| External: | Internal: |
|------------------|------------------|
| 900 x 750 x 850 | 850 x 680 x 830 |
| 1200 x 750 x 850 | 1180 x 680 x 830 |
| 1500 x 750 x 850 | 1480 x 680 x 830 |
| 1800 x 750 x 850 | 1780 x 680 x 830 |

SYSTEM DESIGN



- Custom built solutions available

POWER REQUIREMENT (SINGLE PHASE)

- 230v/50Hz/13A Service (EU)
- 110v/60Hz/20A Service (USA)

FACILITIES REQUIREMENT

- Re-circulatory design, can be stand-alone operation or connected direct to house extract

AIRFLOW & FILTRATION



FILTRATION

- Safe-change HEPA filter
- Modular air handling filtration unit
- Min 99.995% efficiency at 0.3 microns (H14)
- Activated Carbon filtration available

AIRFLOW MONITORING

- Continual airflow monitoring using a dual sensor hot wire anemometer complete with Audible / Visual alarm