

# IE INSTRUMENT ENCLOSURE (ACRYLIC)



**CTS Instrument Enclosures are designed to protect the analyst from airborne contaminants produced during sample analysis and manipulation processes.**

Typical Applications:

Titration, Moisture Analysis, Particle Sizing, Automated Dispensing, Micro Scale Synthesis, Milling, Sieving, Pipetting and Mobile Phase Preparation.

- Excellent maintenance access
- Safe change HEPA filtration system
- Custom build solutions
- Solvent filtration available
- Low air volume requirement
- Safe waste disposal

# IE INSTRUMENT ENCLOSURE (ACRYLIC)

## SYSTEM SPECIFICATION



### CONSTRUCTION

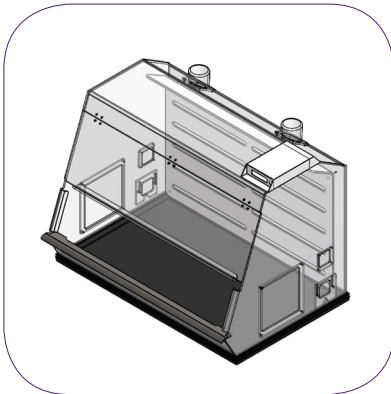
- 8mm Optically clear cast acrylic body
- Black Phenolic resin base
- Mobile bench option

### DIMENSIONS (mm) - (WxDxH)

External:	Internal:
900 x 750 x 850	850 x 650 x 800
1200 x 750 x 850	1180 x 650 x 800
1500 x 750 x 850	1480 x 650 x 800

- Custom built solutions available

## SYSTEM DESIGN



### POWER REQUIREMENT (SINGLE PHASE)

- 230v/50Hz/13A Service (EU)
- 110v/60Hz/20A Service (USA)

### FACILITIES REQUIREMENT

- Re-circulatory design, can be stand-alone operation or connected direct to house extract

## AIRFLOW & FILTRATION



### FILTRATION

- Safe-change HEPA filter
- Modular air handling filtration unit
- Min 99.995% efficiency at 0.3 microns (H14)
- Activated Carbon filtration available

### AIRFLOW MONITORING

- Continual airflow monitoring using a dual sensor hot wire anemometer complete with audible / visual alarm